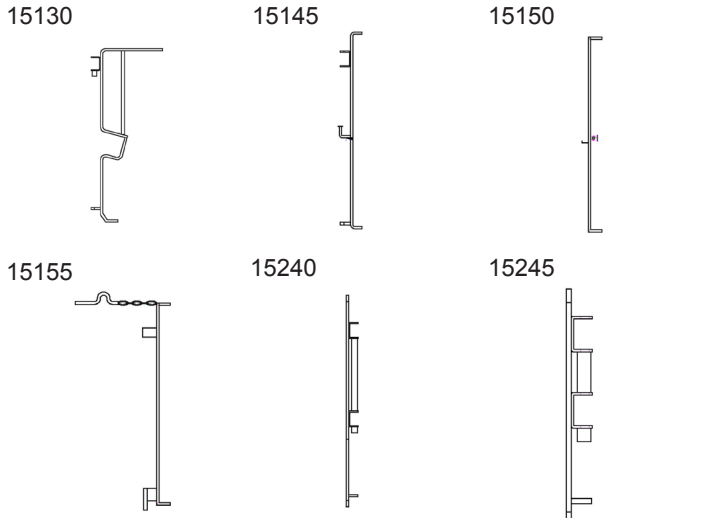
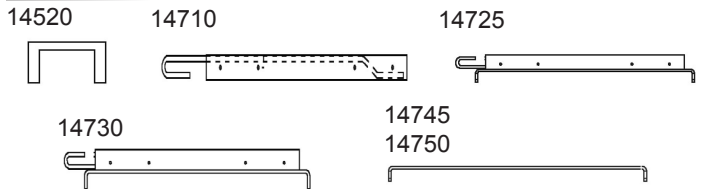


## Stall Boar Gate Hardware



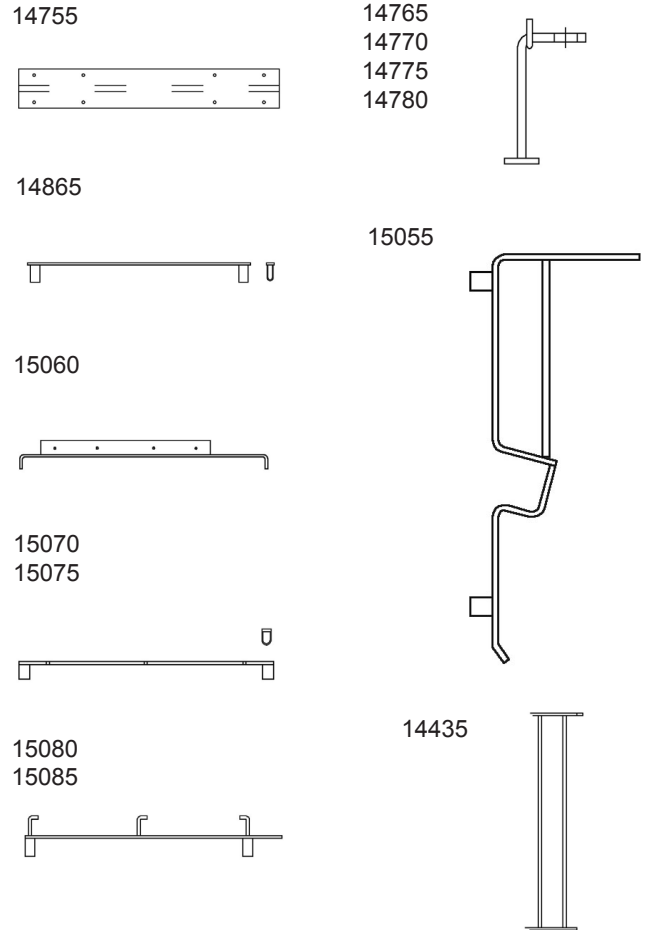
Part #	Description	UPC
BPENPFOSEBG	Stall Front Extension for PVC Boar Gate	15130
BPENPFOSGB02	Stall Gate Brkt (Weld-On)	15145
BPENPFOSGF03	Stall Gate End w/Flip Loop	15150
BPENPFOSGH03	Stall Gate Hinge/Chain & Pin	15155
BPENPFOSWB	Stall Gate Wall Bracket	15240
BPENPFOSWBAI	Stall Rear Gate Wall Bracket	15245

## Happy Hog Hardware



Part #	Description	UPC
BPENFOHHCLIP	U-Clip To Fasten Happy Hog Penning	14520
BPENFOHHFBP	Weld-On HH Feeder Brkt w/Pin	14710
BPENFOHHGEB	HH Bolt-in Gate End W/Release Pin	14725
BPENFOHHGEB01	HH Weld-in Gate End W/Release-Pin	14730
BPENFOHHGEBB	Bracket For HH Bolt-in GEB	14745
BPENFOHHGEBBW	Bracket For HH Weld-in GEB	14750

## Happy Hog Hardware



Part #	Description	UPC
BPENFOHHGEB03	Pin Channel W/Holes For GEB	14755
BPENFOHHGEL	HH Gate End Leg 6" (42")	14765
BPENFOHHGEL3	HH Gate End Leg 3"	14770
BPENFOHHGEL4	HH Gate End Leg 4" (40")	14775
BPENFOHHGELWO	Weld-On Gate End Leg (Cut to Length)	14780
BPENFOHHHPB	HH Penning Bracket w/Loops (Weld-on)	14865
BPENFOHHSEHH	Stall Front Extension	15055
BPENFOHHSGEB	HH Gate Brkt W/Pin Fits SEHH	15060
BPENFOHHWB	HH Wall Bracket w/Loops	15070
BPENFOHHWB90D	HH 90D Wall Bracket W/Loops	15075
BPENFOHHWBC	HH 42" Wall Bracket (to be cast in cement)	15080
BPENFOHHWBC40	HH 40" Cement-In Wall Brkt	15085
BPENPAR35S916HH	35 1/4" HH Spindle 9/16"	14435