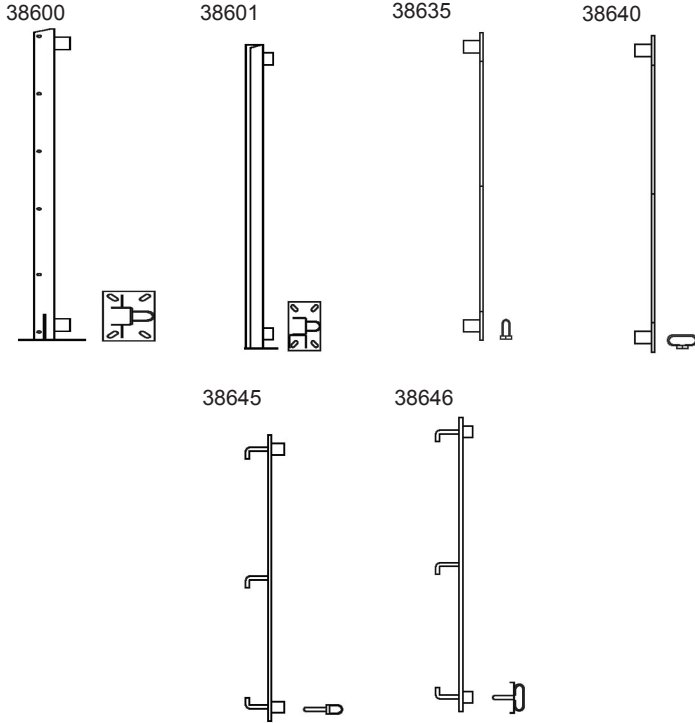
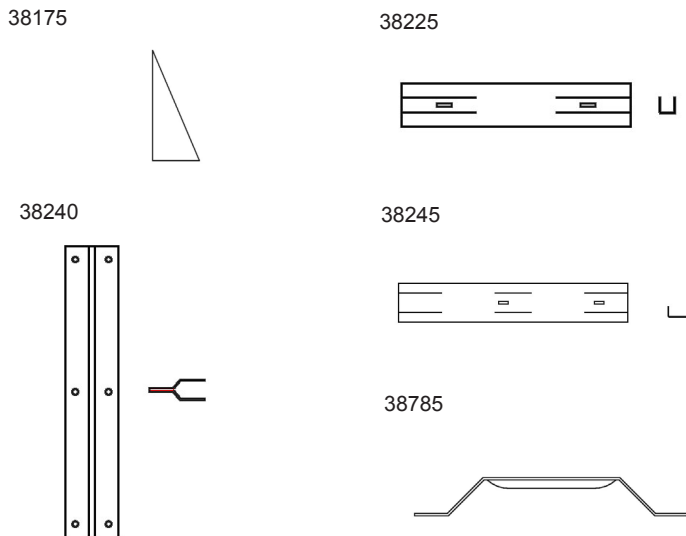


2" x 38" Finishing Hardware



Part #	Description	UPC
SPENPFOS2FS2W	S2001 Standard 2-Way Post 1WC/SL	38600
SPENPFOS2FS3W	S2001 Standard 3-Way Post 1WC/4SL	38601
SPENPFOS2FS3WDL	S2001 Standard 3-Way Post 1WC/DL (drawing n/a)	38602
SPENPFOS2FS3WDL	S2001 Standard 3-Way Post 1WC/DL (drawing n/a)	38602
SPENPFOS2FS3WDL	S2001 Standard 3-Way Post 1WC/DL (drawing n/a)	38602
SPENPFOS2FS3WDL	S2001 Standard 3-Way Post 1WC/DL (drawing n/a)	38602
SPENPFOS2FS3WDL	S2001 Standard 3-Way Post 1WC/DL (drawing n/a)	38602
SPENPFOS2FWBB	S2001 Solid Iron Standard Wall Brkt w/SL	38635
SPENPFOS2FWBBD	S2001 Solid Iron Wall Brkt w/DL	38640
SPENPFOS2FWBCI	S2001 Cement-In Wall Bracket	38645
SPENPFOS2FWBCID	S2001 Cast-in Concrete Wall Bracket Double loop	38646

General Stainless Hardware



Part #	Description	UPC
SPENPARGUSSETT	SS Gusset for Post	38175
SPENPFOCC161	SS 16" Crate Channel 1"ID	38225
SPENPFOCC22138	SS 22" Z-Channel 1 3/8" ID	38240
SPENPFOCC242	SS 24" Crate & Wall Channel 2"ID	38245
SPENPFOSSH01	SS Gate Handle	38785